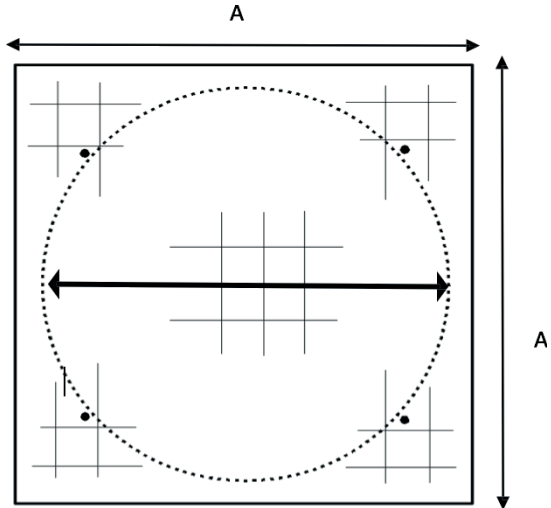


The silo tank must be placed on a concrete foundation and placed in the middle. See recommended minimum dimensions in tables below:

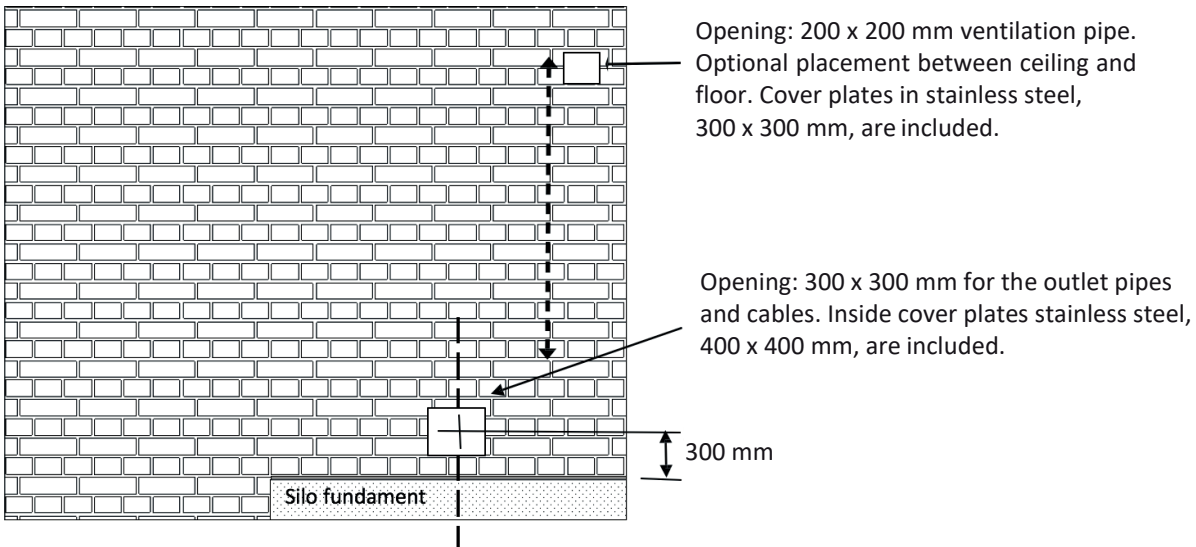
Diameter:	2 300 mm
A-dimension:	2 600 mm

Diameter:	3 000 mm
A-dimension:	3 300 mm



- * The height of the foundation must be 250 mm above the floor of the milkroom.
- * For casting and calculation of the foundation, use the weight tables page 5. N.B. specified weights apply to empty tank. It is important that local building and calculation rules are followed when designing and constructing the foundation.

Pipe openings for installation without alcove



Opening: 200 x 200 mm ventilation pipe. Optional placement between ceiling and floor. Cover plates in stainless steel, 300 x 300 mm, are included.

Opening: 300 x 300 mm for the outlet pipes and cables. Inside cover plates stainless steel, 400 x 400 mm, are included.

300 mm

Silo fundament

Volume	Diameter	H1	H2	Weight
5000 L	2300 mm	2230 mm	2250 mm	675 kg
6000 L	2300 mm	2530 mm	2850 mm	745 kg
7000 L	2300 mm	2830 mm	3150 mm	815 kg
8000 L	2300 mm	3130 mm	3450 mm	885 kg
9000 L	2300 mm	3430 mm	3750 mm	955 kg
10000 L	2300 mm	3730 mm	4050 mm	1020 kg
12000 L	2300 mm	4330 mm	4650 mm	1160 kg
14000 L	2300 mm	4930 mm	5250 mm	1300 kg
15000 L	2300 mm	5230 mm	5550 mm	1365 kg
16000 L	2300 mm	5530 mm	5850 mm	1435 kg
18000 L	2300 mm	6030 mm	6350 mm	1550 kg
20000 L	2300 mm	6630 mm	6950 mm	1690 kg
22000 L	2300 mm	7230 mm	7550 mm	1825 kg
24000 L	2300 mm	7800 mm	8150 mm	1965 kg

Volume	Diameter	H1	H2	Weight
10000 L	3000 mm	2600 mm	2830 mm	1272 kg
15000 L	3000 mm	3450 mm	3680 mm	1496 kg
18000 L	3000 mm	3900 mm	4130 mm	1649 kg
20000 L	3000 mm	4260 mm	4490 mm	1770 kg
25000 L	3000 mm	5072 mm	5302 mm	2023 kg
30000 L	3000 mm	5900 mm	6130 mm	2319 kg
35000 L	3000 mm	6700 mm	6930 mm	2807 kg
40000 L	3000 mm	7409 mm	7509 mm	3247 kg
50000 L	3000 mm	8918 mm	9180 mm	4175 kg

Tables: All weights apply to empty silo tank.

