

SILO TANKS 5,000-50,000 liters

Updated silo solution in new design

We offer high-quality silo tanks in stainless steel with two different diameters for increased flexibility. The control unit and cleaning pump are pre-mounted on the silo upon delivery, which ensures a quick and easy installation. We have extensive experience in milk cooling and adapt the silo and cooling unit based on the conditions on your farm. No matter if you milk conventionally or with robot, we can offer you optimal cooling for preserved milk quality. Do you need special solutions such as independent or partial milk collection? We are happy to support you to find the best solution.

LARGE VOLUME ON SMALL AREA

Our silo tanks hold large volumes of milk on a small area. Not having to build a large milk room saves money. All that is required is a cast concrete foundation and an opening in the wall to the milk room.

The silo is placed in a suitable location outdoors, adjacent to the milk room. It can either be built with the outlet directly into the milk room or at some distance,



Stylish high-quality silo in stainless steel.

with an alcove as a connection. Of course, we support you all the way from planning to installation and operation.

TWO DIAMETERS PROVIDE FLEXIBILITY

We know that the conditions are different on each farm and that the need for volume can increase over time. Therefore, we offer our silo with two different diameters, 2,300 and 3,000 mm, and volumes from 5,000 to 50,000 liters. It is possible to change to a larger silo in the future without having to rebuild.

The narrower diameter in our product range means that we can offer even smaller silo tanks with some height. In addition, the shipping cost is affected by the diameter, which provides financial savings for the narrower variant.

OPTIMIZED COOLING

All our silo tanks are delivered complete with a cooling unit adapted to your production, regardless of the number of cows and milking system. The silo has a large cooling surface at the bottom and two on the walls, which provides an adapted and gentle cooling from the first liter.

WORLD-CLASS INSULATION

A thick layer of polyurethane foam



Pre-mounted cleaning pump and Argos control unit.

provides optimal insulation to secure milk quality and economy. The energy losses are minimal, which benefits the climate, operation economy and the cooling compressor's lifetime.

QUICK AND EASY INSTALLATION

The silo tank is delivered complete with our smart and user-friendly control unit Argos and the cleaning pump already mounted on the silo body. This enables a quick and easy installation on the farm which saves time and money.

LIGHTWEIGHT ALCOVE

Many customers want to equip their silo with an alcove. We can now offer a flexible and affordable solution in a durable lightweight material that has a low climate footprint and is easy to handle during installation. The alcove is available in white colour and standard dimensions. For a surcharge, extension modules and various colour options are available. If you prefer a traditional alcove in stainless steel, we have a solution as well.

DIMENSIONS

Volume	Diameter	Height H1	Height H2
5,000 L	2,300 mm	2,230 mm	2,250 mm
6,000 L	2,300 mm	2,530 mm	2,850 mm
7,000 L	2,300 mm	2,830 mm	3,150 mm
8,000 L	2,300 mm	3,130 mm	3,450 mm
9,000 L	2,300 mm	3,430 mm	3,750 mm
10,000 L	2,300 mm	3,730 mm	4,050 mm
12,000 L	2,300 mm	4,330 mm	4,650 mm
14,000 L	2,300 mm	4,930 mm	5,250 mm
15,000 L	2,300 mm	5,230 mm	5,550 mm
16,000 L	2,300 mm	5,530 mm	5,850 mm
18,000 L	2,300 mm	6,030 mm	6,350 mm
20,000 L	2,300 mm	6,630 mm	6,950 mm
22,000 L	2,300 mm	7,230 mm	7,550 mm
24,000 L	2,300 mm	7,800 mm	8,150 mm

Volume	Diameter	Height H1	Height H2
10,000 L	3,000 mm	2,600 mm	2,830 mm
15,000 L	3,000 mm	3,450 mm	3,680 mm
18,000 L	3,000 mm	3,900 mm	4,130 mm
20,000 L	3,000 mm	4,260 mm	4,490 mm
25,000 L	3,000 mm	5,072 mm	5,302 mm
30,000 L	3,000 mm	5,900 mm	6,130 mm
35,000 L	3,000 mm	6,700 mm	6,930 mm
40,000 L	3,000 mm	7,409 mm	7,509 mm
50,000 L	3,000 mm	8,918 mm	9,180 mm

ECONOMY AND SUSTAINABILITY

Complete your Wedholms silo with some of our smart options to reduce the climate footprint and improve your operating economy. Contact us to find out more about our energy-efficient solutions.

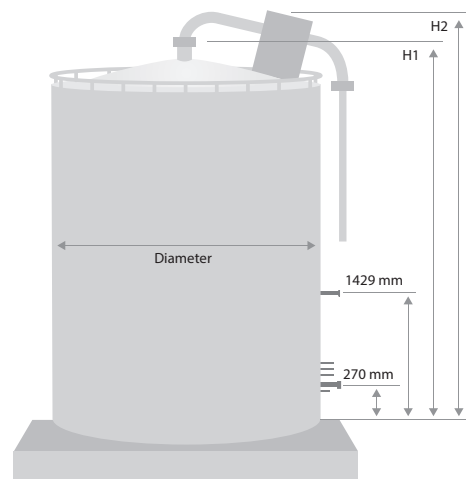
In addition, we are experts in special solutions for independent and partial milk collection. We are happy to support you to find the best solution on your farm.



Silo with cooling unit and alcove during installation.



Alcove in lightweight material as an option.



Drawing with dimensions.

All information is supplied without liability, technical changes reserved.