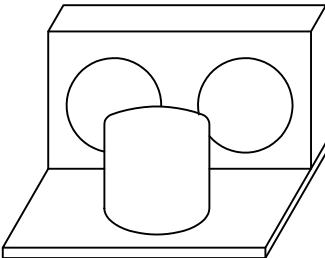
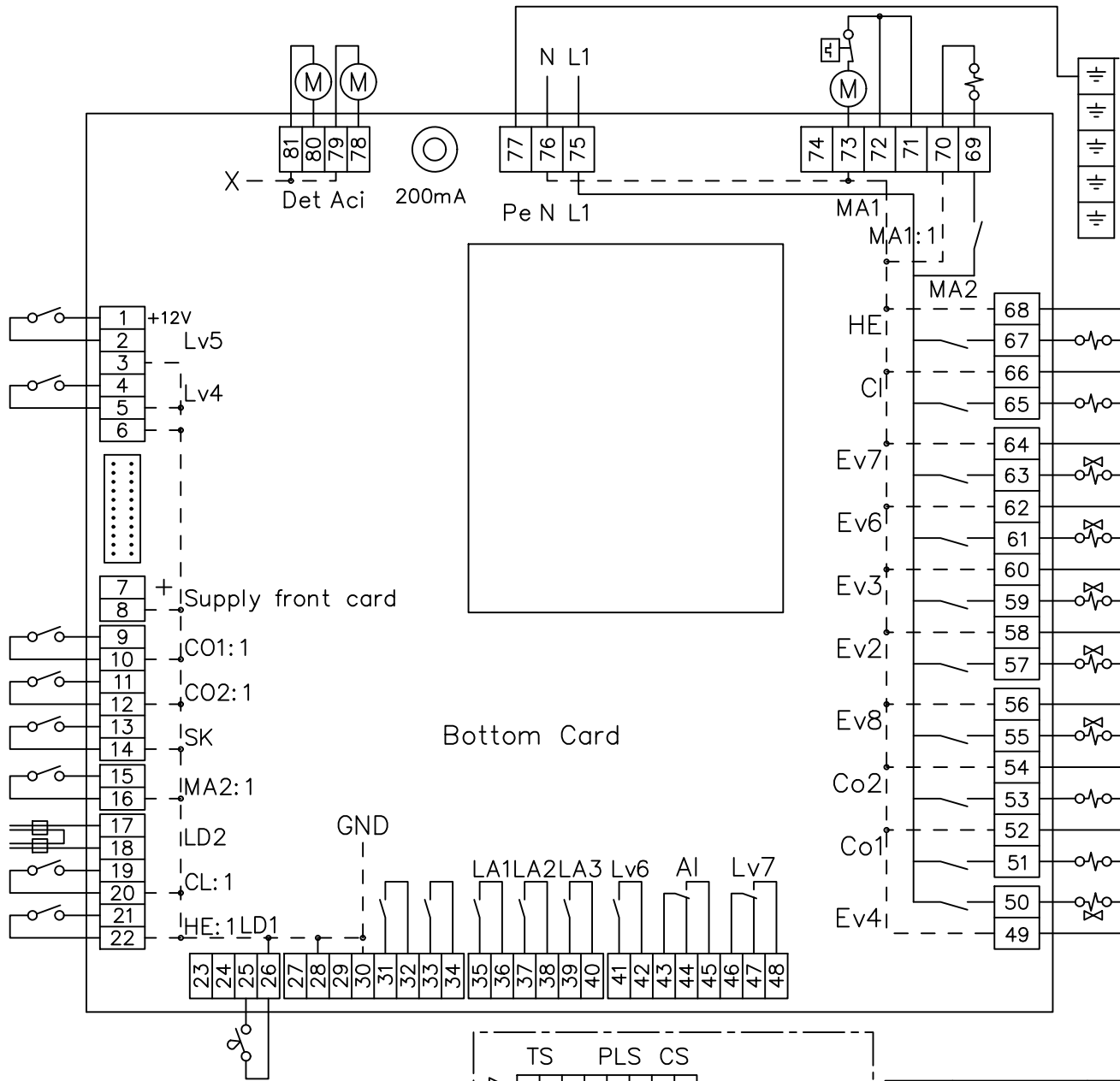


WEDHOLMS AB ELECTRIC DOCUMENTATION

EQUIPMENT A1 320651
EQUIPMENT LIST A1 320652
CONNECTION ARGOS 320653
CIRCUIT DIAGRAM 320654-320655
CABLE LIST 320656
EXTERNAL CONNECTION .320657-320659
CONNECTION-BOX DF95 320660
EMC FILTER 320662



Drawn by	Date	Approved			
PR	23-01-03	PR			
Argos and 1comp+Base K,L,M,N or P					
Wedholms Wedholms AB		Page no.	1	Version	B
		Draw no.	320650		

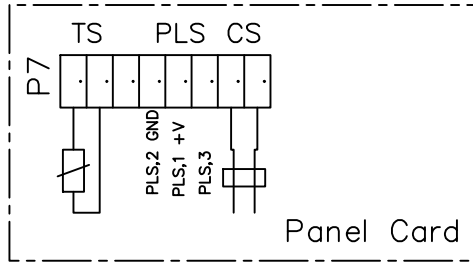


Outputs:

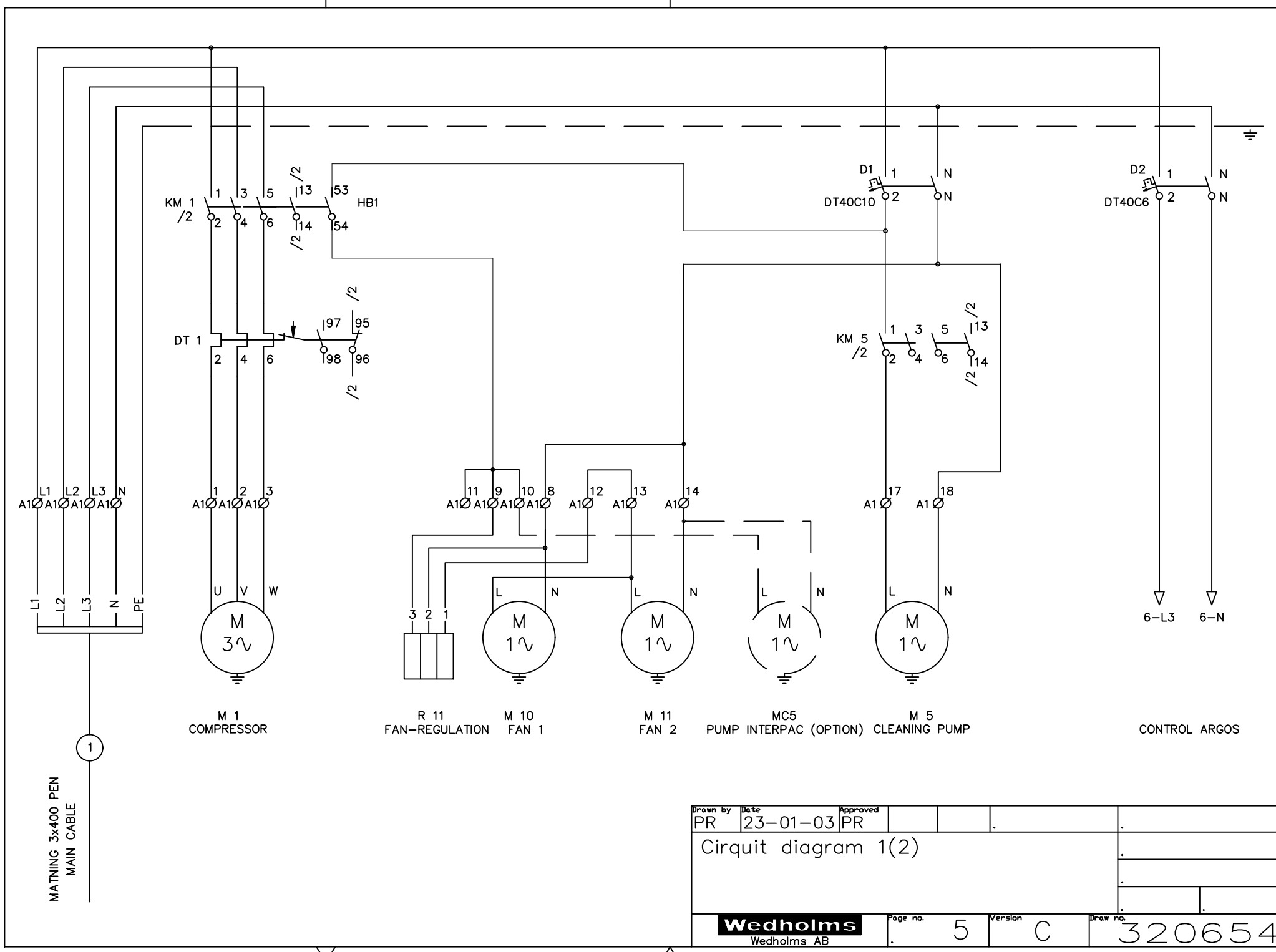
- MA1 Agitator
- MA2 Milk-pump
- EV2 Solenoid valve Hot Water
- EV3 Solenoid valve Cold Water
- EV4 Solenoid valve Outlet Valve Tank
- EV6 Solenoid valve Drain Valve No 1
- EV7 Solenoid valve Drain Valve No 2
- EV8 Solenoid valve Capacity Regulator
- CL1 Contactor Cleaning Pump
- CO1 Contactor Compressor 1
- CO2 Contactor Compressor 2
- HE Contactor Heater
- DET Dos Pump Detergent
- ACI Dos Pump Desinfection
- AL1 Alarm
- LV6 "Emptying/cleaning" signal to robot
- LV7 "Cleaning on" signal to robot
- LA1 Light cooling on
- LA2 Tankguard red light
- LA3 Tankguard green light

Inputs:

- MA:1 Feedback Agitator
- MA:2 Feedback Milkpump
- CO1:1 Feedback Cotactor Compressor 1
- CO2:1 Feedback Contactor Compressor 2
- CL:1 Feedback Contactor Cleaning Pump
- HE:1 Feedback Contactor Heater
- SK Start cooling
- LD1 Level Indicator Washing
- LD2 Conductive Sensor Detergent
- LV4 Position Outlet Valve
- LV5 Position Filling Valve robot
- TS Sensor Temperature Tank
- PLS Level Sensor Tank
- CS Conductive Sensor Cleaning



Drawn by	Date	Approved			
PR	23-01-03	PR			
Terminal block Argos					
Page no.	4	Version	B	Draw no.	320653



L1
A1
L2
A1
L3
A1
N
A1
L1
L2
L3
N
PE

KM 1 /2

DT 1

M 1
COMPRESSOR

R 11
FAN-REGULATION

M 10
FAN 1

M 11
FAN 2

MC5
PUMP INTERPAC (OPTION)

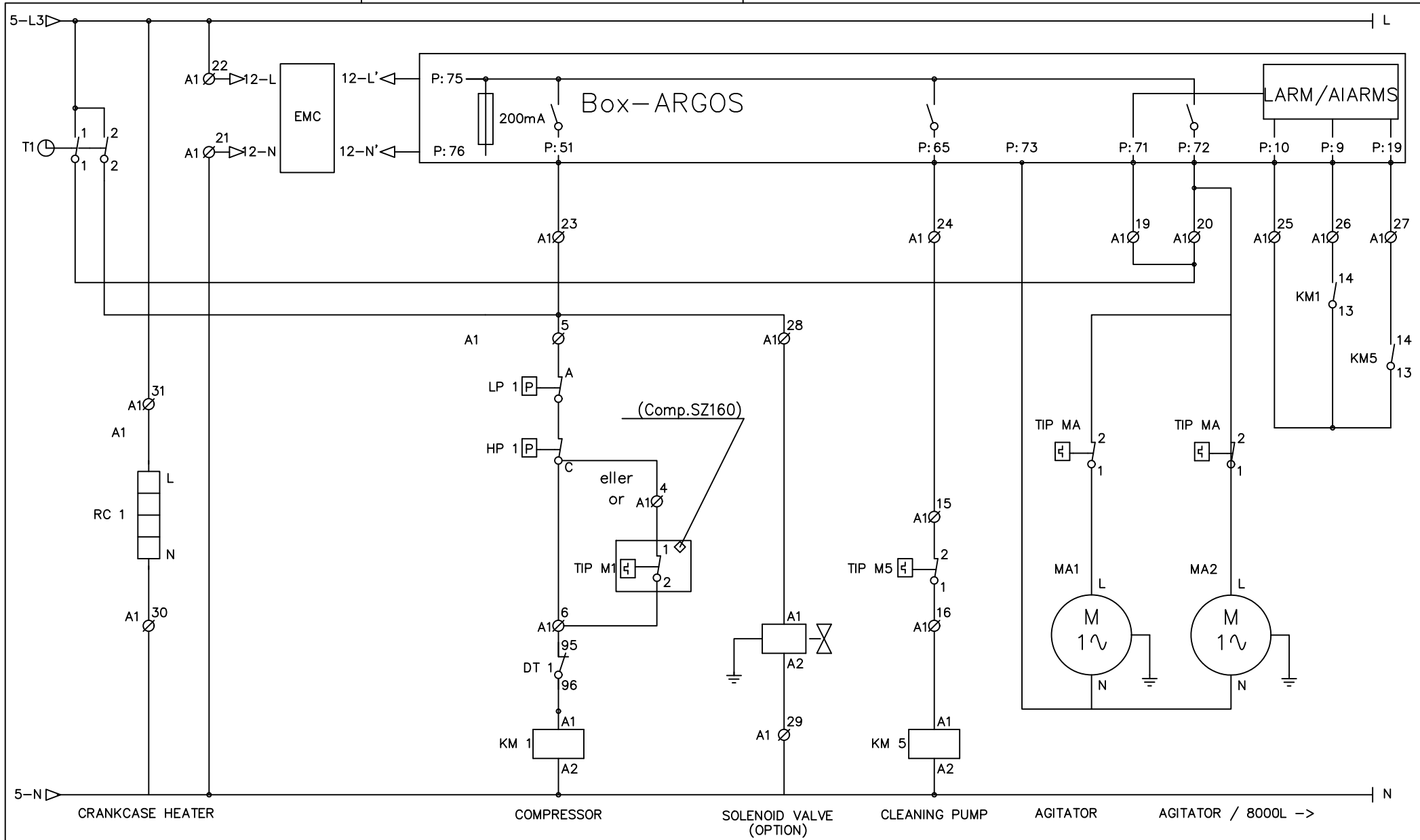
M 5
CLEANING PUMP

CONTROL ARGOS

MATNING 3x400 PEN
MAIN CABLE

1

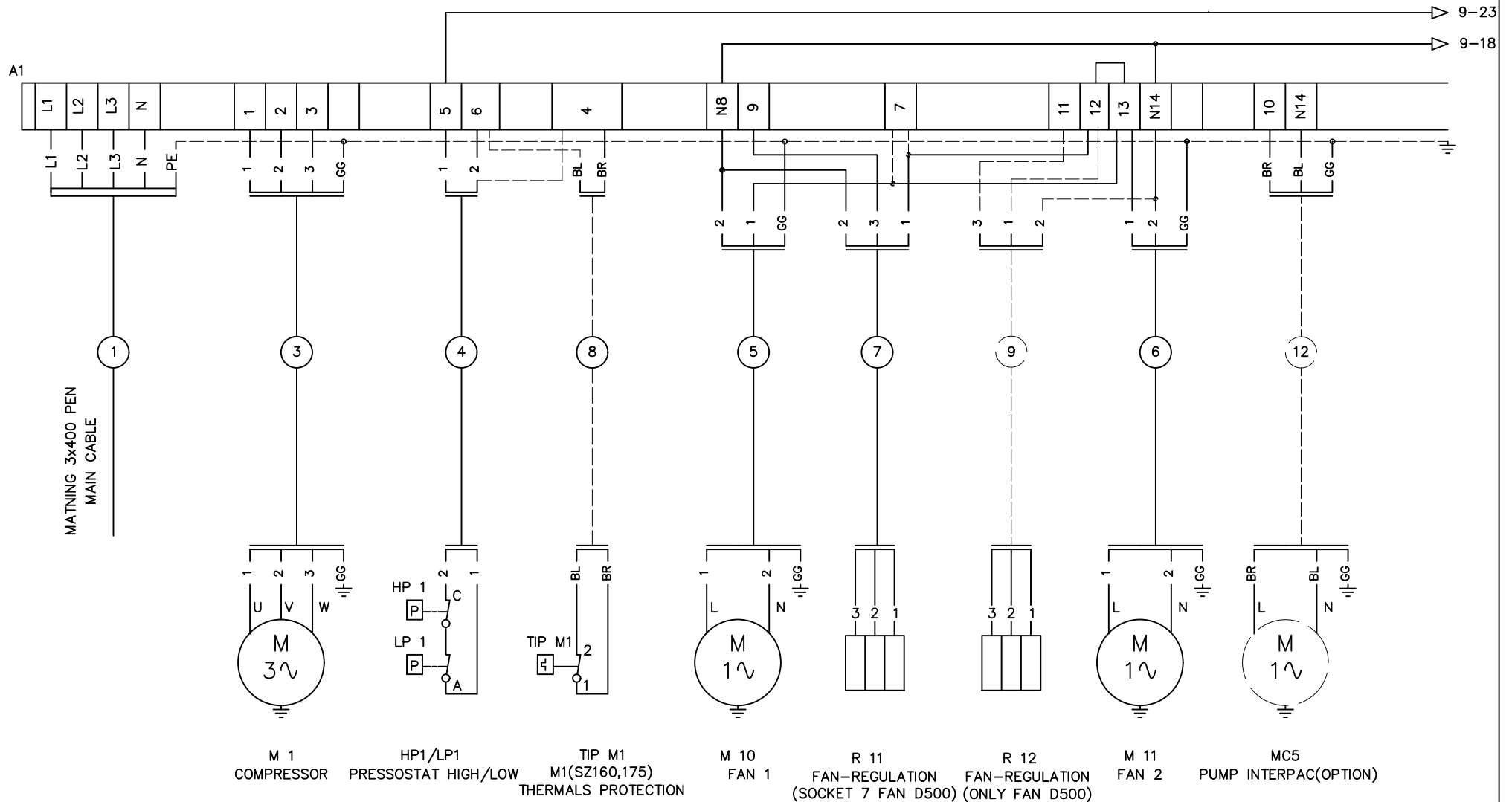
Drawn by	Date	Approved			
PR	23-01-03	PR			
Circuit diagram 1(2)					
Page no.		Version	Draw no.		
5		C	320654		
Wedholms Wedholms AB					



Drawn by	Date	Approved			
PR	23-01-03	PR			
Circuit diagram 2(2)					
Wedholms Wedholms AB		Page no.	Version	Draw no.	
		6	D	320655	

COBLE NO.	CONNECTION	CABLE TYPE/ AREA	CONNECTION	NOTE	ARTICLE NO.
1	MAIN CABLE	FQQ 5G2,5	A1	MAIN CABLE 3X400V P.EN 16A or 25A	820152
2					
3	A1	RKK 4G2.5	M 1	COMPRESSOR	820131
4	A1	RKK 3G1	HP1/LP1	SAFETY PRESSOSTAT HIGH/LOW	865450
5	A1	RKK 3G1.5	M 10	FAN 1	820218
6	A1	RKK 3G1.5	M 11	FAN 2	820218
7	A1	RKK 3G1	R 11	REGULATION FAN 1/2 (D350,D420)and 1 D500	865450
8	(A1)	(RKK 3G1.5)	(M1)	THERMALS PROTECTION COMP.(OPTION)	820218
9	A1	RKK 3G1	R 12	REGULATION FAN 2(FAN D500)	865450
10	Box Argos	RKK 3G1.5	MA	AGITATOR	820218
11	A1	RKK 5G1.5	M 5	CLEANING PUMP	820221
12	(A1)	(FKK 3G1.5)	(MC5)	INTERPAC (OPTION)	
13	A1	10G0.75	Box Argos	INTERFACE CABLE A1-ARGOS	841129
14	A1	RKK 3G1.5	RC 1	CRANKCASE HEATER COMPRESSOR	RESI0002
15	(A1)	(RKK 3G1.5)	(MV1)	SOLENOID VALVE (OPTION)	820218
16	(Box Argos)	(RKK 5G1.5)	(MV2)(M2)	SOLENOID VALVE/DELAY START (OPTION)	820221
20	Box Argos	2G0.75	TS1	TEMPERATURE SENSOR	868638
21	Box Argos	2G0.75	LD1	LEVEL WASHING	691741
22	Box Argos	2G0.75	LD2	LEVEL DETERGENT-DESINFECTION	21330551/52
23	Box Argos	2G0.75	ACI	PUMP DESINFECTION	861734
24	Box Argos	2G0.75	DET	PUMP DETERGENT	861734
25					
26	Box Argos	2G0.75	EV 2	SOLENOID VALVE HOT WATER	693404
27	Box Argos	2G0.75	EV 3	SOLENOID VALVE COLD WATER	693404
28	Box Argos	3G0.75	EV 6	SOLENOID VALVE DRAINAGE	814632

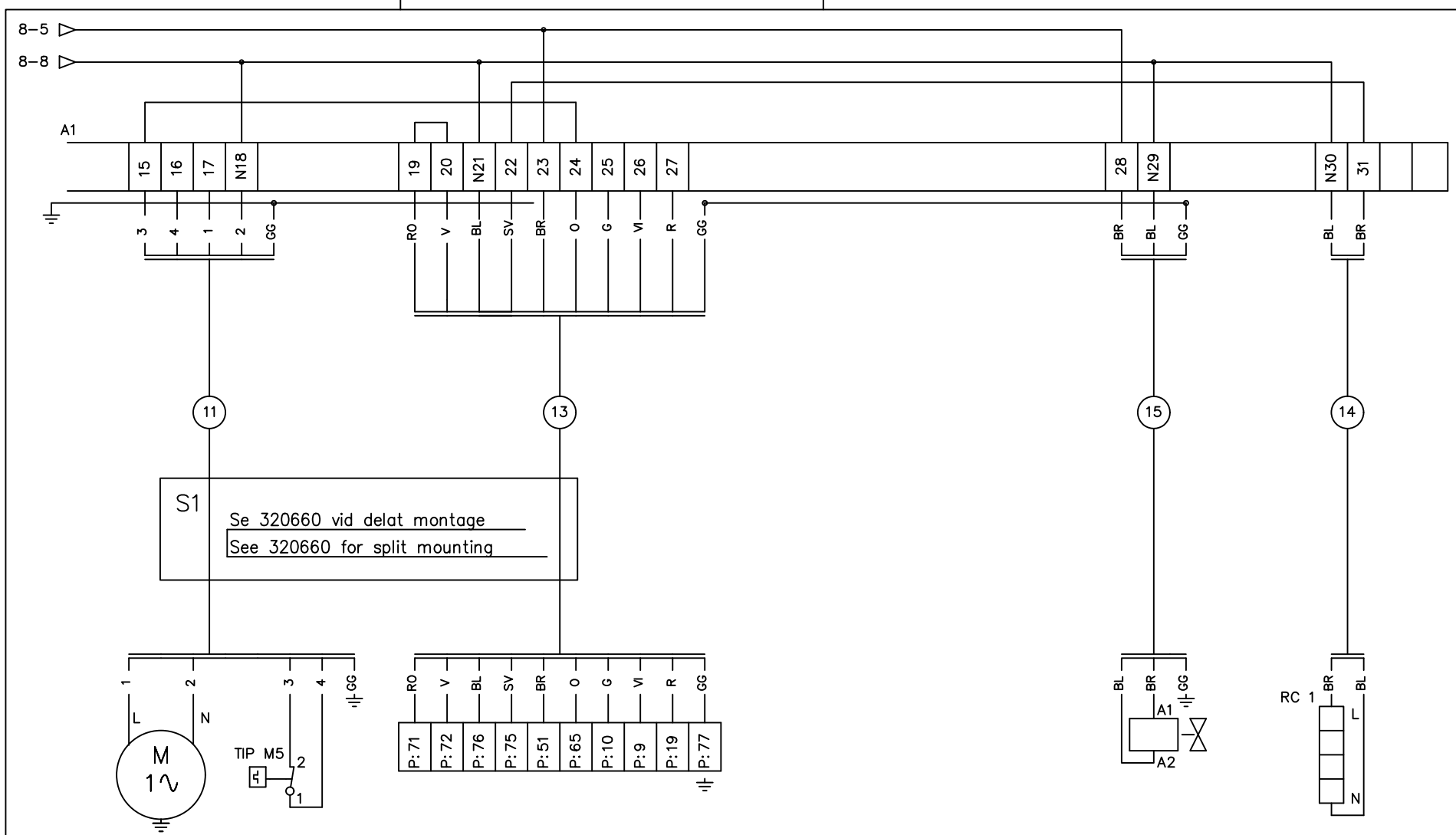
Drawn by	Date	Approved			
PR	23-01-03	PR			
Cable list					
Wedholms Wedholms AB		Page no.	7	Version	C
		Draw no.	320656		



COLOURS PARTS

- SV - BLACK
- BL - BLUE
- BR - BROWN
- R - RED
- V - WHITE
- G - GREY
- VI - VIOLET
- RO - PINK
- O - ORANGE
- GG - YELLOW/GREEN

Drawn by	Date	Approved			
PR	23-01-03	PR			
Connection 1(3)					
Page no.	Version	Draw no.			
8	B	320657			



M 5
CLEANING PUMP

TIP M5
THERMALS PROTECTION

TO ARGOS

MV1
SOLENOID VALVE(OPTION)

RC1
CRANKCASE HEATER

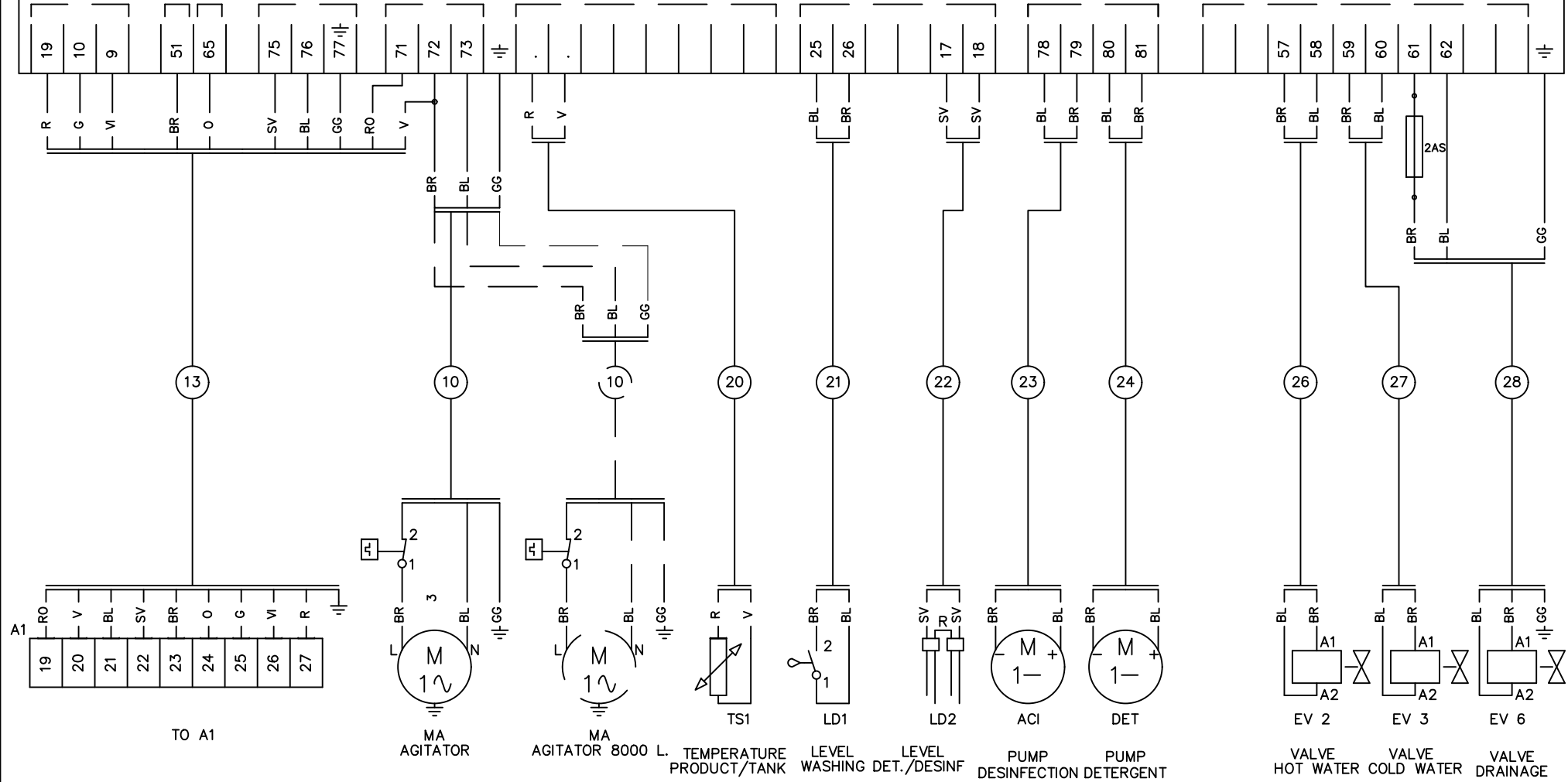
COLOURS PARTS

- SV - BLACK
- BL - BLUE
- BR - BROWN
- R - RED
- V - WHITE
- G - GREY
- VI - VIOLET
- RO - PINK
- O - ORANGE
- GG - YELLOW/GREEN

Drawn by	Date	Approved			
PR	23-01-31	PR			
Connection 2(3)					
Page no.	9	Version	B	Draw no.	320658
Wedholms AB					

BOX ARGOS

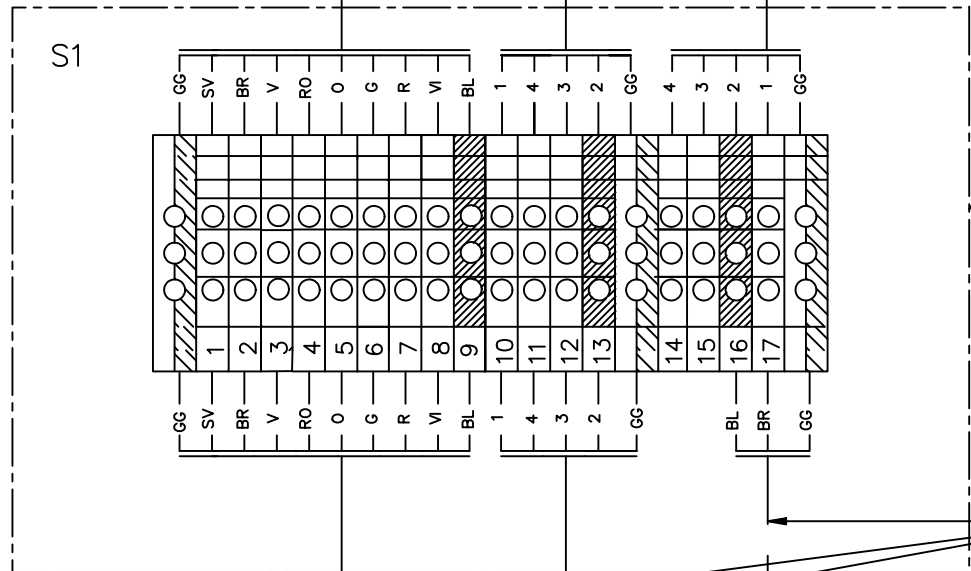
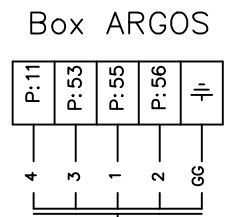
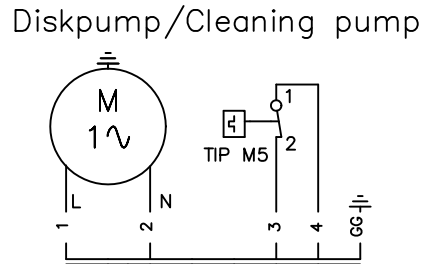
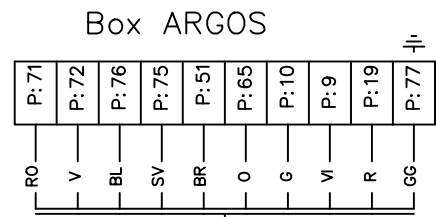
PANELKORT P7



COLOURS PARTS

- SV - BLACK
- BL - BLUE
- BR - BROWN
- R - RED
- V - WHITE
- G - GREY
- VI - VIOLET
- RO - PINK
- O - ORANGE
- GG - YELLOW/GREEN

Drawn by	Date	Approved			
PR	23-01-03	PR			
Connection 3(3)					
Page no.		Version		Draw no.	
10		A		320659	
Wedholms Wedholms AB					



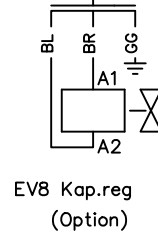
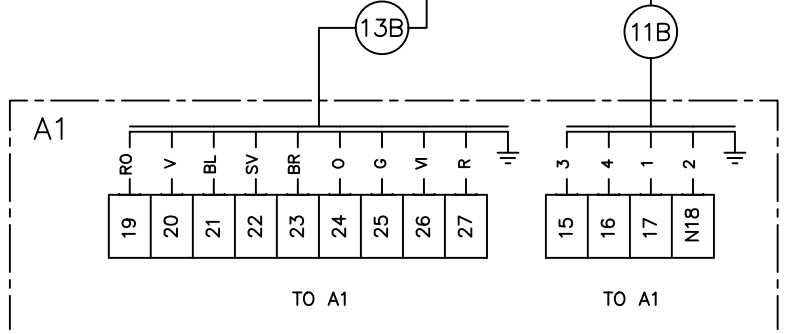
Connection-box S1 rear end tank

FÄRGKOD PARTER/COLOURS PARTS

- SV - SVART/BLACK
- BL - BLÅ/BUE
- BR - BRUN/BROWN
- R - RÖD/RED
- V - VIT/WHITE
- G - GRÅ/GREY
- VI - VIOLETT/VIOLET
- RO - ROSA/PINK
- O - ORANGE/ORANGE
- GG - GUL/GRÖN--YELLOW/GREEN

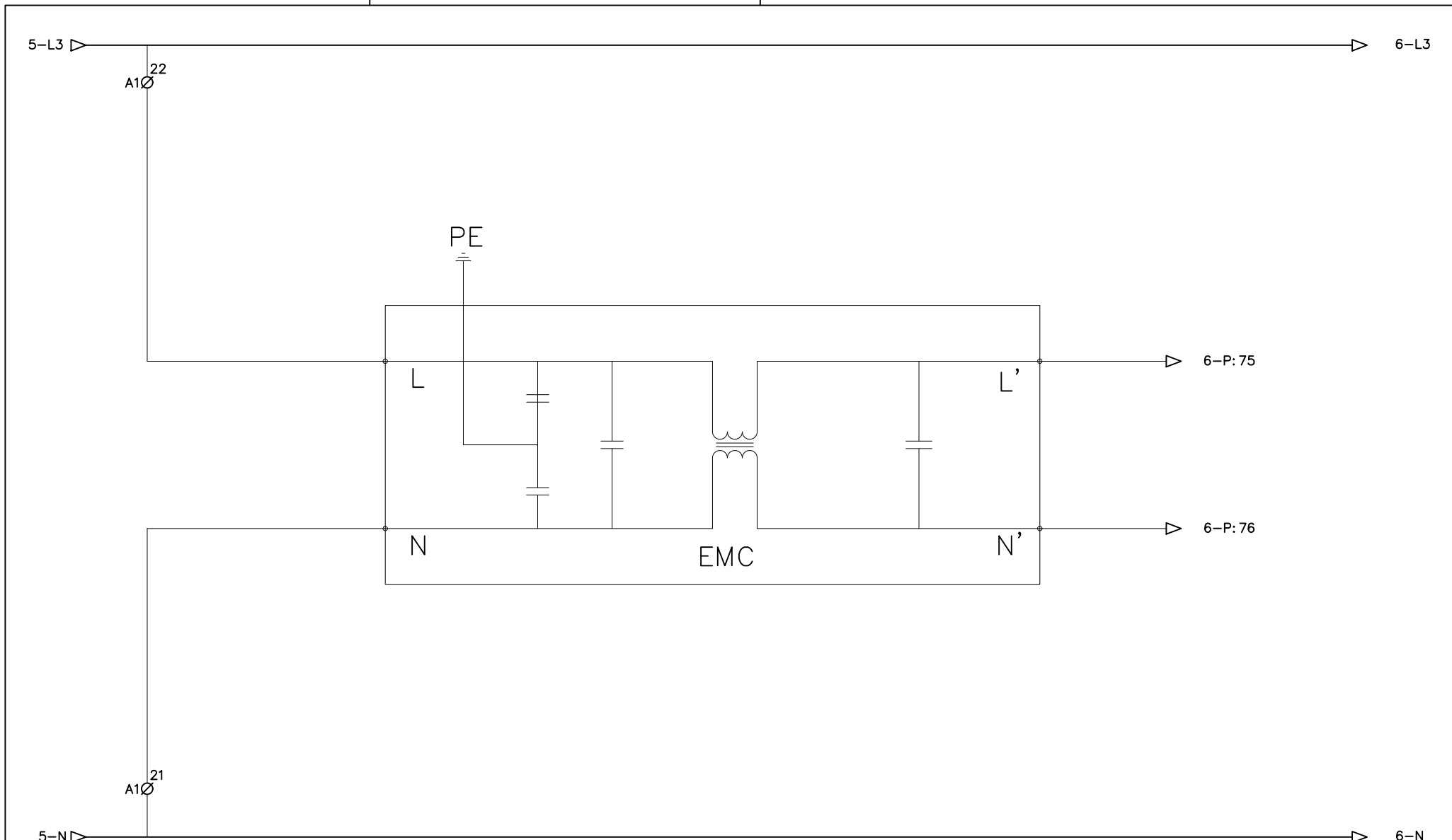
Cables mounted at installation

Cables supplied by manufacturer



DOCUMENTATION
320650-320660

Drawn by	Date	Approved			
PR	23-01-03	PR			
Connection-BOX DF95					
Page no.		Version	Draw no.		
11		C	320660		



EMC
ELECTROMAGNETIC COMPATIBILITY

Drawn by	Date	Approved			
PR	23-01-10	PR			
EMC					
Page no.		Version	Draw no.		
12		A	320662		

Wedholms
Wedholms AB