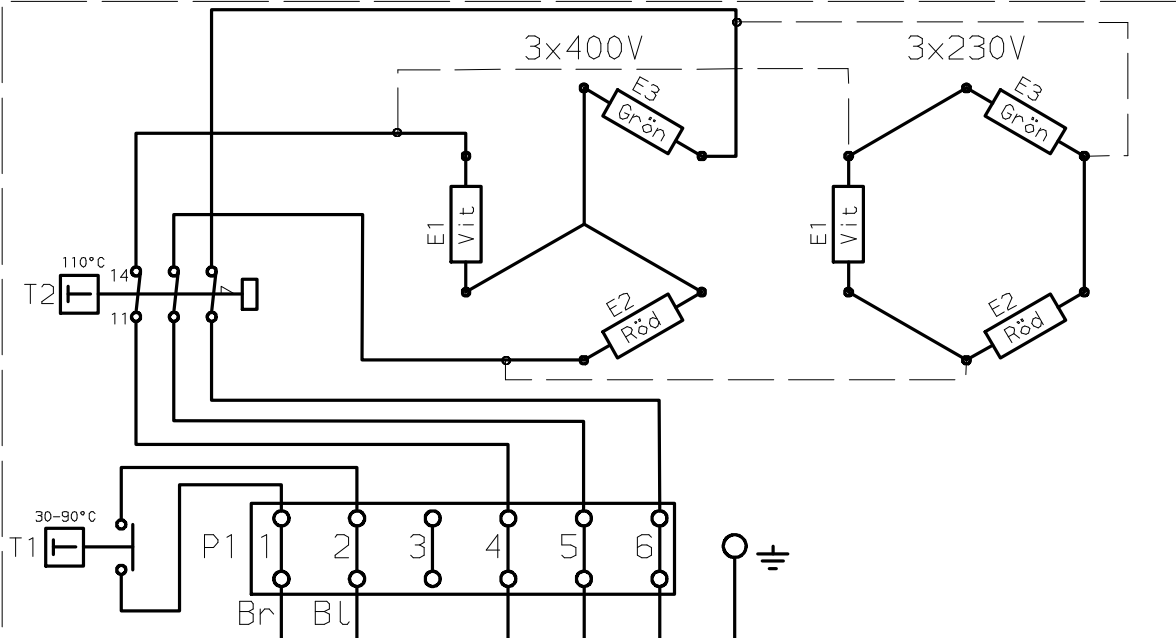
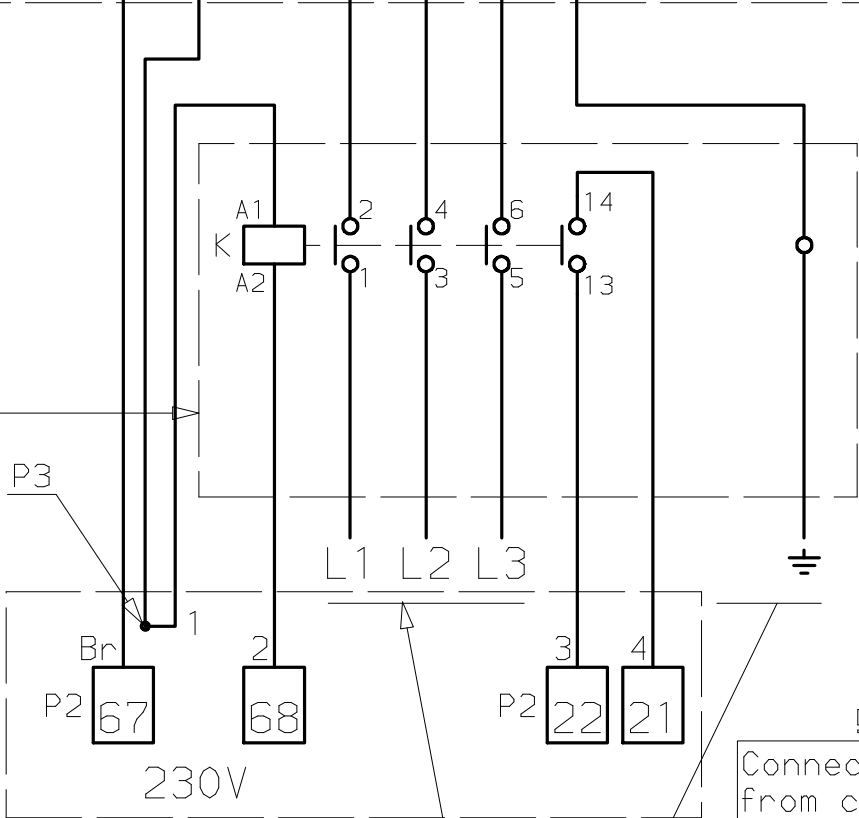


Elvärmare/Heater



Koppl. box
Connection box



E1, E2, E3=Element/Elements
 T1=Termostat/Termostat
 T2=Överhettningsskydd/Heater safety
 P1=Plint Värmare/Connection heater
 P2=Plint Argos/Connection Argos
 P3=Koppling Argos/Connection Argos
 K=Kontaktor/Contactor

! NOTE !
 Connect always pwr
 from contactor box:
 KM1:1-2-3 due to
 SAFETY SWITCH

3x400 PEN
 alt,
 3x230 PE

Br=Brun/Brown
 Bl=Blå/Blue

Ritad BOS	Datum 19-09-10	Godk. HL	Stand.gr.	Skala	Sammanst.ritn.nr
ELSCHEMA Argos BACKERVÄRMARE 10kW alt. 7,5kW 3x400V alt.3x230V					Order nr
Wedholms Wedholms AB					Ersätter Ersatt av
Ref.nr	Utgåva	Ritn.Nr		419186	