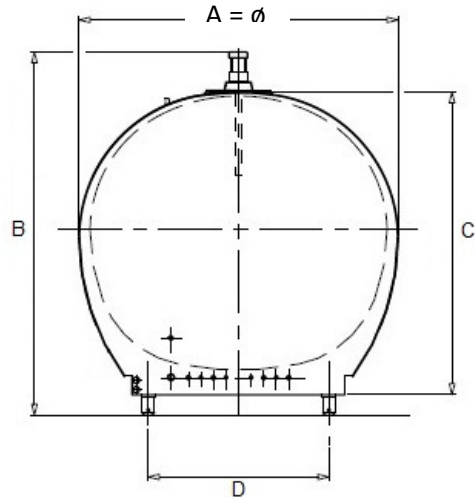


## Dimensions Nautilus Milk Cooling Tanks N9-N30

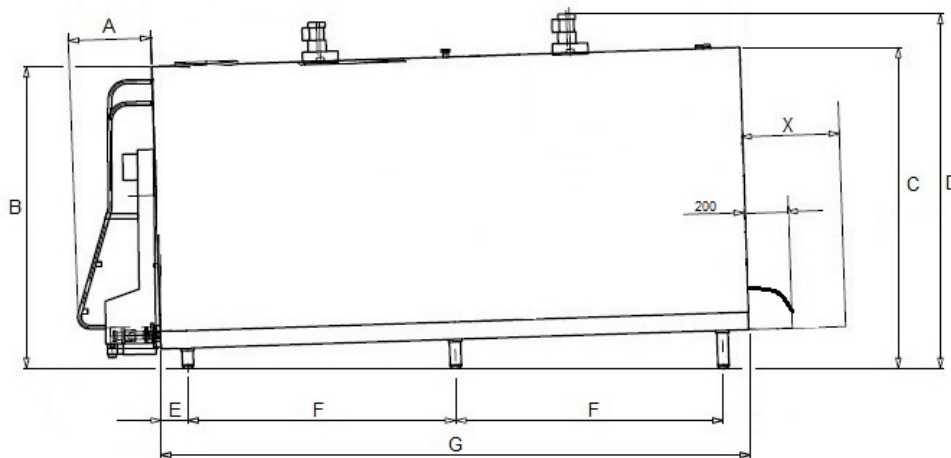
All dimensions are according to drawings; small deviations in the acutal dimensions might occur.

### Nautilus tanks N9-N30, Front view dimensions

	A = $\phi$ (mm)	B (mm)	C (mm)	D (mm)	Weight (kg)
N9	2 030	2 237	1 936	1 150	1 170
N10	2 030	2 241	1 936	1 150	1 300
N12	2 030	2 241	1 936	1 150	1 550
N14	2 225	2 460	2 165	1 230	1 730
N16	2 225	2 460	2 165	1 230	1 965
N18	2 225	2 488	2 165	1 230	2 210
N20	2 435	2 656	2 332	1 450	2 350
N23	2 435	2 656	2 332	1 450	2 500
N26	2 435	2 656	2 332	1 450	2 750
N30	2 435	2 656	2 332	1 450	3 200



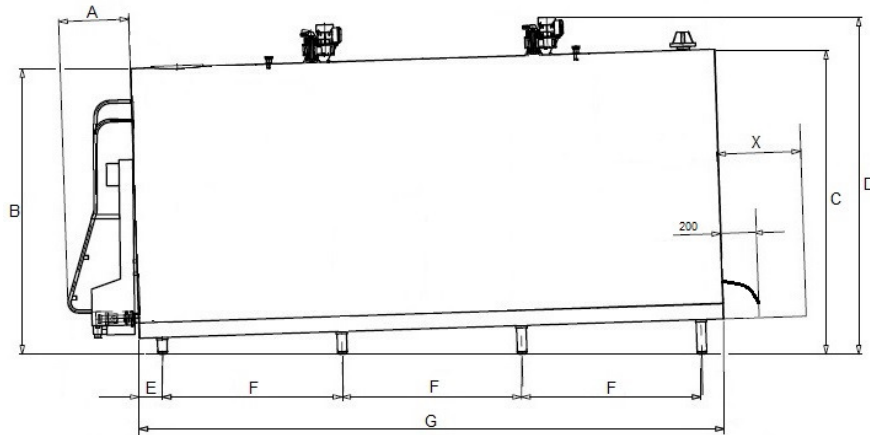
### Nautilus tanks N9-N12, Side view dimensions



	A (mm)	B (mm)	C (mm)	D (mm)	E (mm)	F (mm)	G (mm)	Legs (pc)	Ag. (pc)	Spr. h. (pc)
N9	484	2 048	2 168	2 384	182	1 627	3 613	6	2	1
N10	484	2 048	2 191	2 394	182	1 819	3 998	6	2	1
N12	484	2 048	2 207	2 417	182	2 212	4 785	6	2	1

All information is supplied without liability, technical changes reserved.

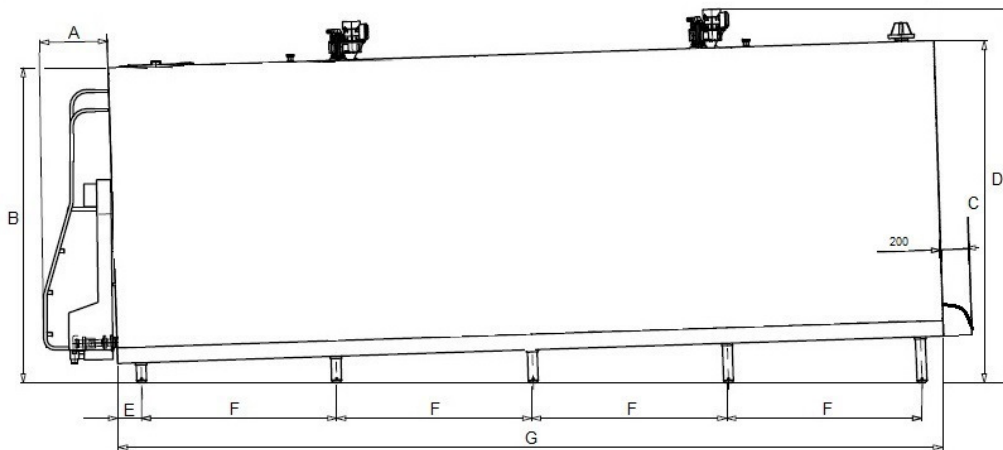
## Nautilus tanks N14-N20, Side view dimensions



	A (mm)	B (mm)	C (mm)	D (mm)	E (mm)	F (mm)	G (mm)	Legs (pc)	Ag. (pc)	Spr. h.* (pc)
N14	484	2 275	2 430	2 627	182	1 432	4 658	8	2	2
N16	484	2 275	2 448	2 647	182	1 641	5 307	8	2	2
N18	484	2 275	2 471	2 661	182	1 865	5 958	8	2	2
N20	549	2 419	2 605	2 800	182	1 744	5 594	8	2	2

\*2 spray heads = 2 cleaning pumps

## Nautilus tanks N23-N30, Side view dimensions



	A (mm)	B (mm)	C (mm)	D (mm)	E (mm)	F (mm)	G (mm)	Legs (pc)	Ag. (pc)	Spr. h.* (pc)
N23	549	2 419	2 632	2 818	182	1 515	6 421	10	2	2
N26	549	2 419	2 659	2 835	182	1 720	7 241	10	2	2
N30	549	2 419	2 696	2 865	182	1 994	8 340	10	2	2

\*2 spray heads = 2 cleaning pumps

All information is supplied without liability, technical changes reserved.

## Important information and recommendations

- Dimension B in the front view of the tank is the minimum height due to the lowest possible level of the adjustable legs.
- If needed to move the tank through a door into the milk room, the agitator/-s can be temporarily removed, which will reduce the height of the tank by approx. 250 mm for volumes up to 12 000 liters and approx. 240 mm for volumes from 14 000 liter and upwards.
- Tank weights are including the control unit, but excluding the cooling unit. For tanks with attached cooling unit (DF953L), 100-280 kg should be added to the total weight (depending on the type of cooling unit). Note that attached cooling unit is not possible for all tanks!
- Dimension D in the side view of the tank corresponds to the installed height at 1.9 degrees inclination.
- In order to get sufficient ventilation of the agitator motor and to make service possible, we recommend an empty space of at least 100 mm above the agitator motor.
- To make it possible to enter and exit the tank through the manhole, we recommend at least 600 mm empty space above the manhole.
- Please be aware, that the dimension A in the side view (and thus the total length of the tank) will be effected when a robot kit (T-connection with APV valve/-s) is installed at the outlet. Add up to 400 mm, depending on the number of APV-valves (milk lines).

The minimum recommended length of the milk room is the sum of the following:

- Dimension A (plus robot connection/-s, if applicable)
- Dimension G
- Add 200 mm (if separated cooling unit), due to piping
- Add 670 mm (if attached cooling unit), due to the cooling unit
- Add at least 500 mm for service purpose